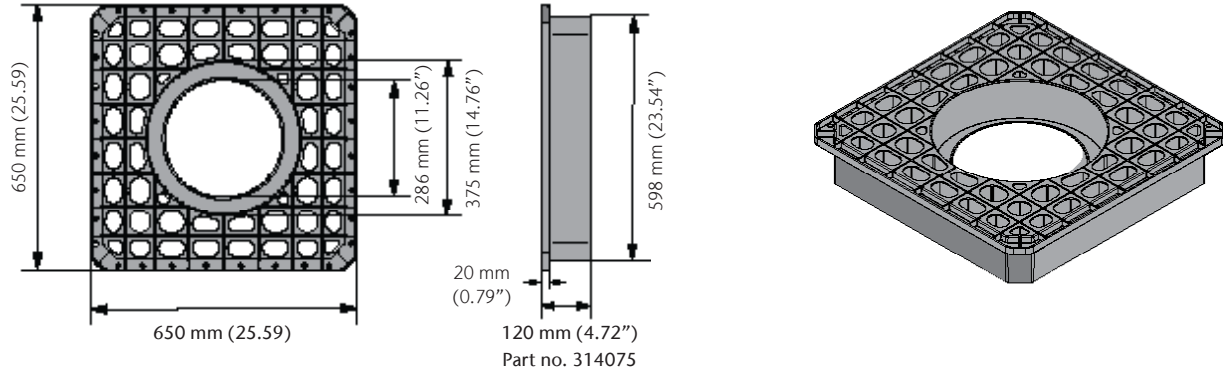
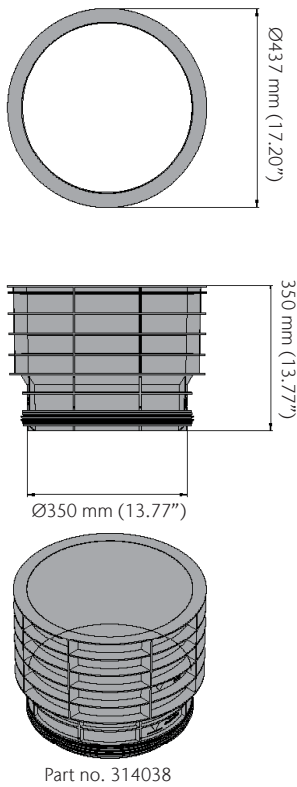


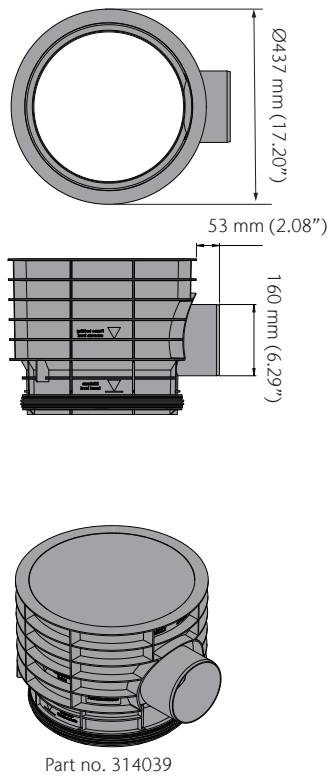
Remote access plate



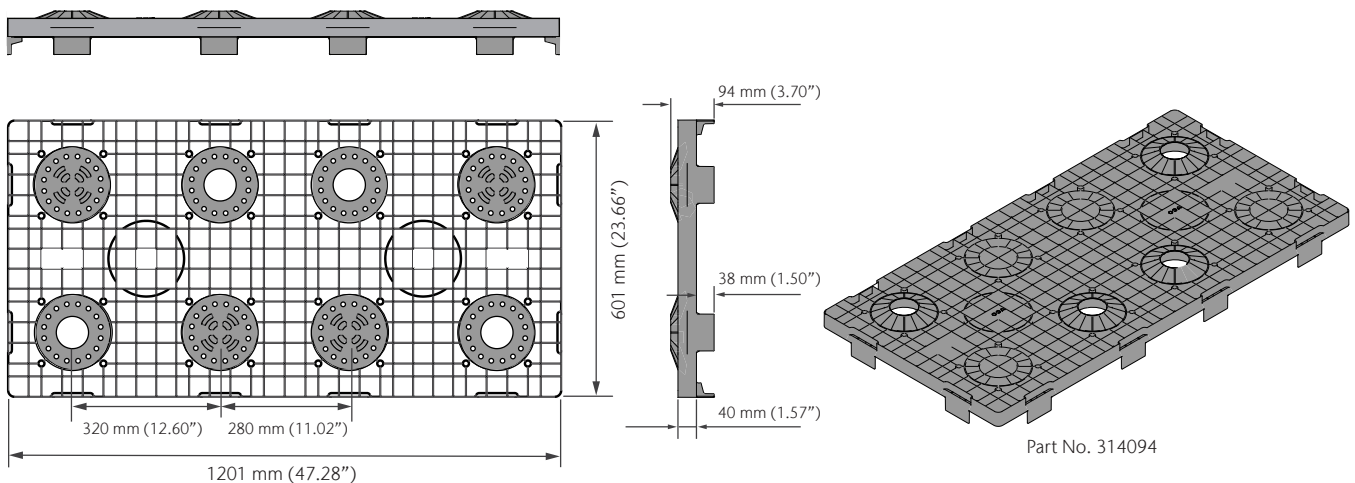
Inspection shaft



Inspection shaft with socket



Half layer top cover plate



ACO Specification Information

ACO STORMBRIX HD

Stormwater Detention/Infiltration/Retention System

Parts Table

	Dimensions				Part No.
	Length mm (in)	Width mm (in)	Depth mm (in)	Weight kg (lbs)	
StormBrixx HD Half-module	1205 (47.44)	600 (23.62)	342 (13.46)	9.9 (22.0)	314061
StormBrixx HD Side Panel	600 (23.63)	600 (23.62)	55 (2.17)	1.6 (3.50)	314062
StormBrixx Top Cover	548 (21.57)	548 (21.57)	43 (1.70)	0.80 (1.7)	140213
Layer connectors	100 (3.94)	40 (1.58)	46 (1.82)	0.10 (0.2)	314023
Remote Access Plate	660 (25.99)	660 (25.99)	120 (4.73)	6.21 (13.70)	314075
Remote Access Unit	595 (23.39)	595 (23.39)	610 (24.02)	31.93 (70.4)	27034
Remote Access Unit with Adaptor Plate	620 (24.41)	594 (23.39)	610 (24.02)	31.93 (70.4)	138140
Remote Access Cover - Ductile Iron (Load Class D400)	528 (20.79)	528 (20.79)	110 (4.34)	39.30 (86.46)	314043
Remote Access Vented Cover - Ductile iron (Load Class D400)	528 (20.79)	528 (20.79)	110 (4.34)	37.92 (83.6)	314053
Access Shaft Module	437 (17.21)	437 (17.21)	350 (13.78)	2.50 (5.5)	314038
Access Shaft Module with Socket	437 (17.21) DND/OD 160	437 (17.21) DND/OD 160	350 (13.78)	2.80 (6.1)	314039
Horizontal Pipe Connectors					
DIA 100	All pipe connectors are metric and will require a flexible coupler for connection to SDR35 pipe	102* (4.00)	-	0.87 (1.93)	314026
DIA 150		152* (6.00)	-	1.49 (3.29)	314027
DIA 200		203* (8.00)	-	1.95 (4.31)	314028
DIA 250		253* (10.00)	-	2.15 (4.31)	314048
DIA 300		305* (12.00)	-	3.17 (7.00)	314029
DIA 400		381* (15.00)	-	4.89 (10.80)	314030

*Internal width

Specifications

General

The storm water Detention*/Infiltration*/Retention* system shall be ACO Stormbrixx HD as distributed by ACO Systems, Ltd. Meets CHBDC CL-625 and AASHTO H-25 and HS-25 loading conditions.

Materials

The half module body shall be manufactured from polypropylene and have minimum properties as follows:

Tensile impact strength:
319 kJ/m² (152 ft-lb/in²)
Tensile strength, ultimate:
23,994 kpa (3,480 psi)
Water absorption: 0.01%
Frost proof, salt proof and fuels and oils resistant

The stormwater tank shall provide an average 95% open area¹, holding up to 0.41¹ m³ (14.71 cubic feet¹) per cell (2 half modules assembled) and offer full access to all areas and levels for maintenance.

Geomembranes/Geotextiles

The StormBrixx system shall be wrapped in appropriate permeable geotextile* or impermeable geomembrane with geotextile protection* (supplied by others) as indicated by project design engineer.

Accessories

The StormBrixx system shall be used in conjunction with inspection shaft**/access chamber**. See separate Spec Info sheets and related drawings for further details.

Installation

The StormBrixx storm water system shall be installed in strict accordance with the manufacturer's installation instructions and recommendations.

* Choose one /** Choose none, one or more

¹ Configuration and use of side/top panels will marginally impact these figures

ACO Specification Information

ACO Systems, Ltd

East Sales Office

2910 Brighton Rd.
Oakville, ON L6H 5S3
Tel: (905) 829-0665
Fax: (905) 829-2908

West Sales Office

112-1750 Coast Meridian Rd.
Port Coquitlam, BC V3C 6R8
Tel: (604) 554-0688
Fax: (604) 554-0693

Electronic Contact

info@acocan.ca
www.acostormbrixx.ca



© August 2023 This information is believed to be accurate but it is not guaranteed to be so. We cannot assume liability for results that buyer obtains with our product since conditions of use are beyond the control of the company. It is the customer's responsibility to evaluate suitability and safety of product for his own use. ACO Systems, Ltd. reserves the right to change the product and specifications without notice.